

DANS1080

1 3/4 BOWL SINK & MIXER



Product



Features

- Double bowl/ double drainer sink
- Designed for top-mount only
- Grade 304 stainless steel
- Polish finish
- 2 tap holes
- Thickness 0.8mm
- Left or right hand drainer

Accessories Included

- Plug & basket waste
- Sink clips
- Rubber seal

Product Dimensions

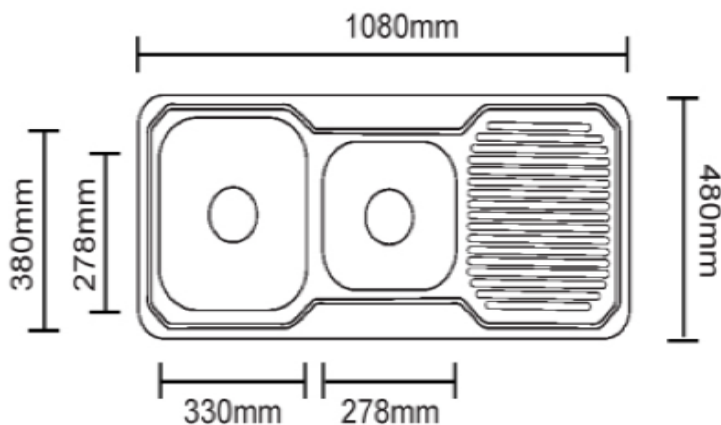
1080mm x 480mm x 170mm

Installation Information

DO NOT CUT BENCH WITHOUT SINK

Manufacturer's template cut out measurements are a guideline only. Always use the physical product measurements for cut-outs as the manufacturer's template may differ from the actual product dimensions over time.

Dimensions



Please note:

Dimensions and specifications are a guide only refer to the instruction manual for full instructions. Every effort has been made to ensure this information is correct. However, due to product improvement Daniela Appliances reserves the right to make changes to products without prior notice.

