

Italian Designed. Australian at heart

OX1010.KM

Square Black Mixer



Features

- Premium brass construction
- Square solid handle
- Clean smooth design
- Swivel outlet for easy access
- 5.0 water rating
- 15 years cartridge
- WELS: Registration No. T31284 (V)
- 6 Star - 4L/Min

Accessories Included

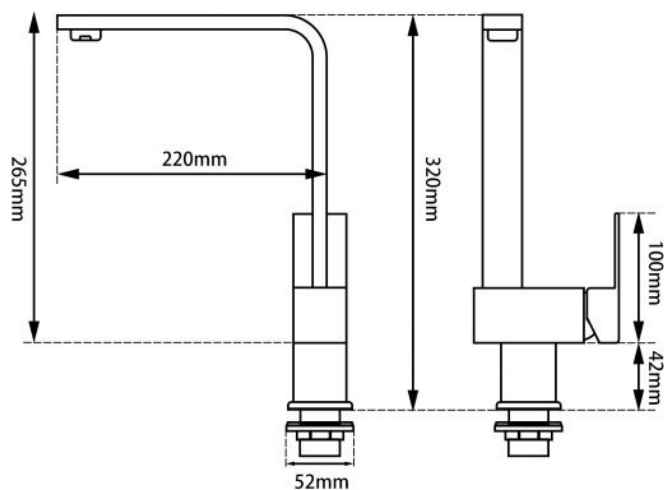
- 1 x Tap
- 2 x Hoses
- 1 x set of mounting accessories

Product Dimensions

320mmH x 220mmW

Installation Information

A suitably qualified plumber is required for installation. It is suitable that this tap is installed directly through a solid bench top or a top mounted sink.



IN HOUSE **2** YEARS WARRANTY

Please note:

Dimensions and specifications are a guide only refer to the instruction manual for full instructions. Every effort has been made to ensure this information is correct. However, due to product improvement Daniela Appliances reserves the right to make changes to products without prior notice.