

Italian Designed. Australian at heart

DAN6RC

60cm Recirculating Slideout Rangehood



Features

- Designed for recirculating
- 66mm stainless steel front bar
- 2 square LED lights
- 2 washable mesh filters
- 2 speed motor
- Charcoal filter
- 2 year warranty/part & labour

Power Specifications

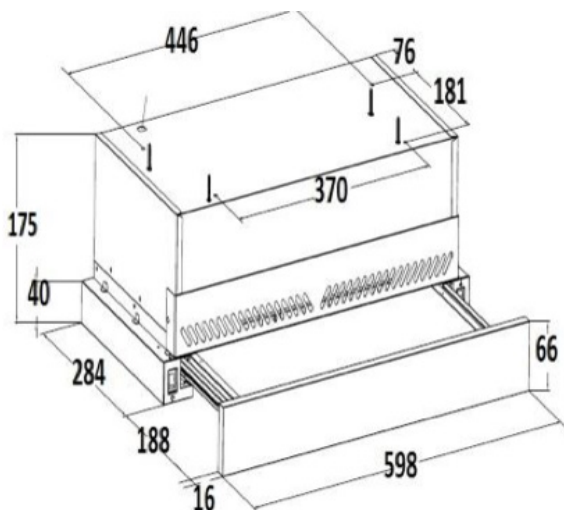
- Voltage: 230V
- Power frequency: 50Hz
- Total Max Power: 124W
- LED Light Power: 2 x 2W
- Motor Power: 2 x 120W
- Airflow 220m³/hr

Product Dimensions

598mmW x 488mmD x 176mmH

Installation Information

A suitably qualified installer is required. Check product dimensions for correct height before commencing installation. The rangehood has a 1 metre cord with a 10 amp plug fitted. This is a simple plug in connection. Please also ensure the ducting hose is 150mm and no reducer is used as this will restrict the airflow and cause unnecessary noise and vibration. It is recommended the use of semi rigid or rigid ducting not flexi ducting. Improper installation is not covered under warranty.



IN HOUSE **2** WARRANTY
YEARS

Please note:

Dimensions and specifications are a guide only refer to the instruction manual for full instructions. Every effort has been made to ensure this information is correct. However, due to product improvement Daniela Appliances reserves the right to make changes to products without prior notice.