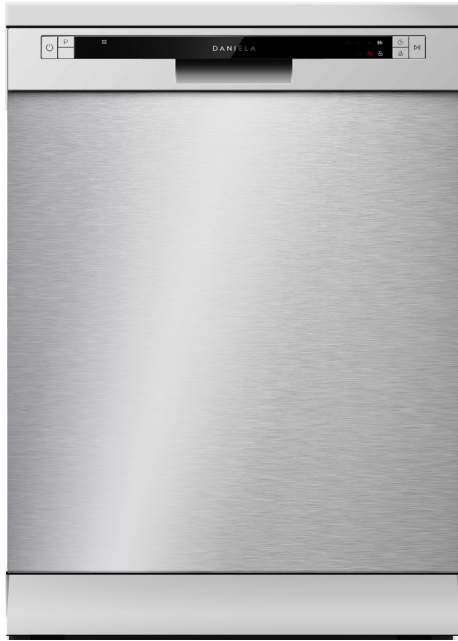


# Italian Designed. Australian at heart

## DANDW60SG

### 60cm Electronic Dishwasher



#### Features

- 12 place settings
- Electronic control , LCD display panel
- Adjustable Basket
- Cutlery Basket
- 6 wash programs -intensive/normal/eco/glass
- rapid soak/half load
- 1-24 hours delay start
- Child lock
- Wel's Registration No. D02559
- 3 star energy rating
- 4.5 star water rating 10.7L

#### Power Specifications

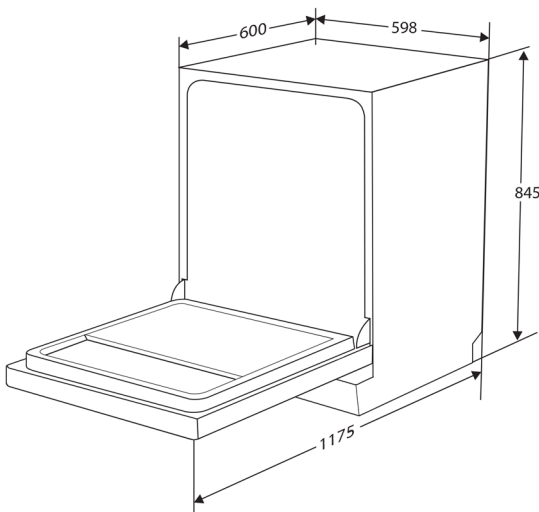
- Voltage: 220-240V
- Energy consumption cycle: 0.73 kWh
- Water consumption: 10.7L
- Noise level: 54 dB(A) re 1 pW
- Water pressure: 0.04-1.0MPa=0.4-10bar

#### Product Dimensions

598mmW x 600mmD x 845mmH

#### Installation Information

The installation of the pipes and electrical equipment should be performed by a qualified plumber.



Please note:

Dimensions and specifications are a guide only refer to the instruction manual for full instructions. Every effort has been made to ensure this information is correct. However, due to product improvement Daniela Appliances reserves the right to make changes to products without prior notice.

IN HOUSE **2** YEARS WARRANTY