

Italian Designed. Australian at heart

DAN9BC

90cm Black Square Canopy



Features

- Quiet 3 speed Brushless DC Motor
- 780m³/H Extraction
- Touch control
- All black finish with black glass fascia
- New design baffle filters
- 3 LED lights
- 2 piece adjustable flue
- 10 amp connection
- Outlet diameter of 150mm
- 2 year warranty/ part & labour

Power Specifications

- Power Voltage / Frequency: 230V / 50Hz
- Total Max Power: 233W
- LED Light Power: 3x1
- Motor Power: 230W
- Airflow 700m³
- 10 amp connection

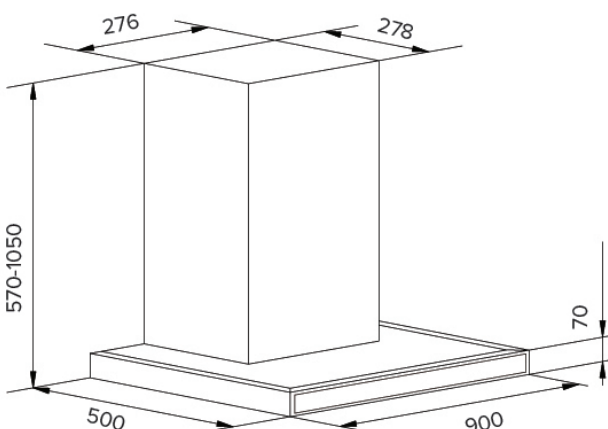
Product Dimensions

900mmL x 500mmW x 500-980mmH

Installation Information

A suitably qualified installer is required. Check product dimensions for correct height before commencing installation. The rangehood has a 1 metre cord with a 10 amp plug fitted. This is a simple plug in connection. Please also ensure the ducting hose is 150mm and no reducer is used as this will restrict the airflow and cause unnecessary noise and vibration. It is recommended the use of semi rigid or rigid ducting not flexi ducting.

Improper installation is not covered under warranty.



IN HOUSE **2** YEARS WARRANTY

Please note:

Dimensions and specifications are a guide only refer to the instruction manual for full instructions. Every effort has been made to ensure this information is correct. However, due to product improvement Daniela Appliances reserves the right to make changes to products without prior notice.