

Italian Designed. Australian at heart

DAN7145

71cm Double Bowl Stainless Steel Sink



Features

- Double bowl sink
- Stainless Steel Sink
- 42L Capacity (Big Bowl:26L, Small Bowl:16L)
- Round corners, easy cleaning & modern look
- 18/8 304 stainless steel construction
- Satin coated for a stunning silky smooth finish
- Anti-condensation paint, mould-proof, moisture proof, rust-proof
- Sound deadening pads to reduce noise
- X flume design, Quick & easy to drain water
- Designed for drop-in, flush mount & -under mount
- RoHS certified
- 10 Year Warranty & 1 Year Labor Warranty

Accessories Included

- 90mm waste strainer & plug included

Product Dimensions

Dimensions: 710mmL x 450mmW x 205mmH

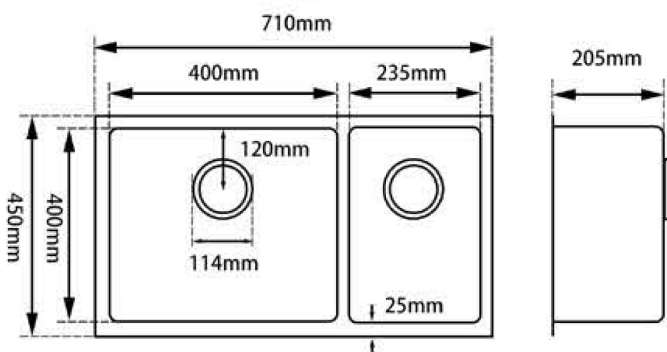
Big Bowl: 400x400mm, Small Bowl: 235x400mm

Thickness: 1.2mm

Installation Information

DO NOT CUT BENCH WITHOUT SINK

Manufacturer's template cut out measurements are a guideline only. Always use the physical product measurements for cut-outs as the manufacturer's template may differ from the actual product dimensions over time



Please note:

Dimensions and specifications are a guide only refer to the instruction manual for full instructions. Every effort has been made to ensure this information is correct. However, due to product improvement Daniela Appliances reserves the right to make changes to products without prior notice.